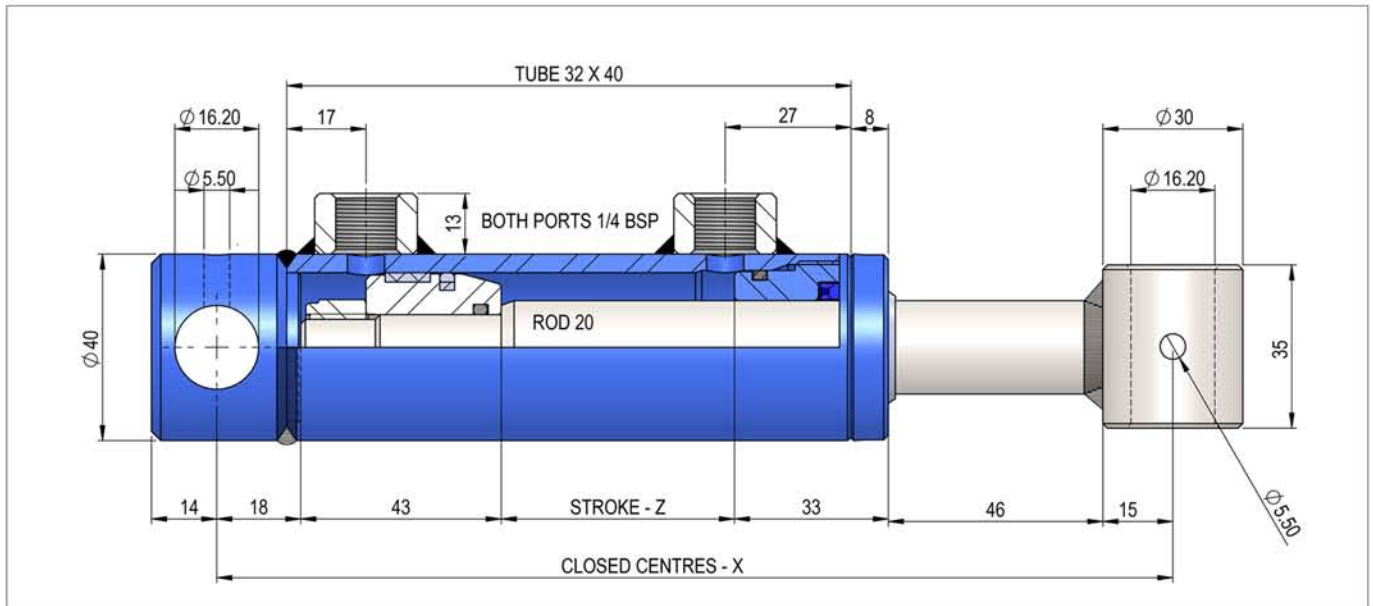


STANDARD CYLINDERS

DOUBLE ACTING

700 Series / 32 Bore 20 Rod



Part No	700.05	700.10	700.15	700.20	700.30	700.40	700.50	700.60
Z	50	100	150	200	300	400	500	600
X	205	255	305	355	455	555	655	755
Weight (Kg)	1.7	2.0	2.3	2.6	3.2	3.8	4.4	5.0
Vol (ltr)	0.05	0.10	0.13	0.17	0.25	0.32	0.40	0.48

Technical Data

- Max Working Pressure: 200 bar
- Proof Pressure: 300 bar
- Maximum Speed: 0.5 m/s
- Temperature: -30°C to 90°C
- Hydraulic Mineral Oil

Identification

- On The Tube: Reference + CH + Week/Year Of Manufacture

Testing

- 100% Tested By Pneumatic Pressure Drop Detection System

Protection

- Black Prime Finish
- For Further Details Please Refer To Technical Data Sheet.

